



PRODUCT CATALOGUE



A GUARANTEE
OF QUALITY, SAFETY,
AND RELIABILITY FROM
A SLOVAK FIREPLACE
MANUFACTURER

Discover our extensive portfolio of classic
and innovative products that exceed
performance and design standards, meeting
the rigorous demands of the modern era



KOBOK, spol. s r. o.

ABOUT THE MANUFACTURER

KOBOK is a Slovak manufacturer of fireplace inserts, operating in the alternative heating market since 1993.

Tradition & Innovation: Our tradition, uncompromising quality, innovative approach, and modern manufacturing technologies allow us to offer a comprehensive range of fireplace appliances and essential building materials.

CUSTOM SOLUTIONS

Currently, we specialize in individual custom production, offering a wide selection of performance and aesthetic accessories.

Working version
March 10, 2026

Content

KOBOK	02
ABOUT THE MANUFACTURER	
A TIME-TESTED CLASSIC	04
CHOPOK LINE	04
EKO LINE	16
KAZETA LINE	22
TV LINE	28
PREPARING FOR YOU	30
CHOPOK ST LINE AND KAZETA K LINE	30
BY LINE	31
WHY CHOOSE KOBOK?	32
FEATURES & KEY BENEFITS	33
CONTACTS	34

CHOPOK line



- A legend among fireplace inserts in Slovakia – quality proven over time
- Fireplace inserts are suitable for installation in heat-accumulating radiant structures
- Consistent performance with an optimal price-quality ratio
- The widest range of performance, dimensions, and shapes, and the most extensive range of accessories
- Complies with EN 16510-2-2:2023 standard



CHOPOK L LD

- FLAT DOOR
- SIDE OPENING DOOR (vľavo/vpravo)
- Output Range: 45 - 90
- Portal width: 440, 500, 550, 600, 670, 730, 780, 840, 900 mm
- Portal height: 450, 510, 570, 670, 790, 910 mm
- Appliance height: 1230 - 1620 mm
- Nominal output: 8,0 - 12,0 kW
- Fuel consumption: 2,6 - 3,9 kg/hour



CHOPOK L VD

- FLAT DOOR
- LIFT-UP DOOR OPENING
- Output Range: 45 - 130
- Portal width: 510, 570, 620, 670, 740, 800, 850, 910, 970, 1070, 1170, 1270, 1370 mm
- Portal height: 450, 510, 570, 670, 790, 910 mm
- Appliance height: 1350 - 1990 mm (by type)
- Nominal output: 8,0 - 18,0 kW
- Fuel consumption: 2,6 - 5,5 kg/hour

UNBEATABLE VALUE FOR MONEY

Our best-selling fireplace line. A great investment if you want to enhance and cozy up the atmosphere of your home and are looking for an alternative source of heat, either supplementary or backup, with maximum efficiency and low heating costs.

VERSATILE USABILITY

Various shape designs, portal sizes and power ranges allow for versatile use in different interiors. They can be built into various types, shapes and styles of fireplaces using hot air, hybrid or storage methods. Practicality, aesthetics and individual appearance can be enhanced by choosing from a wide range of accessories.

INCREASED PERFORMANCE AND COMBUSTION EFFICIENCY

The option of connecting selected models to a hot-air, storage or hot-water exchanger makes it possible to increase the efficiency of the appliance, recover and utilize otherwise "lost" flue gas heat for preheating hot water, or influence the distribution of heat over time. (See HOT AIR EXCHANGERS, FIREPLACES WITH TV, AV).



CHOPOK O LD

- DOUBLE-SIDED DOOR
- SIDE OPENING DOOR (L/R)
- Output Range: 45 -90
- Portal width: 440, 500, 550, 600, 670, 730, 780, 840, 900 mm
- Portal height: 450, 510, 570, 670, 790, 910 mm
- Appliance height: 1230 - 1620 mm
- Nominal output: 8,0 - 12,0 kW
- Fuel consumption: 2,6 - 3,9 kg/hour



CHOPOK O VD

- DOUBLE-SIDED DOOR
- LIFT-UP DOOR OPENING
- Output Range: 45 - 130
- Portal width: 510, 570, 620, 670, 740, 800, 850, 910, 970, 1070, 1170, 1270, 1370 mm
- Portal height: 450, 510, 570, 670, 790, 910 mm
- Appliance height: 1350 - 1990 mm (by type)
- Nominal output: 8,0 - 16,0 kW
- Fuel consumption: 2,6 - 5,2 kg/hour

CHOPOK line



CHOPOK VE L LD

- FLAT DOOR
- SIDE OPENING DOOR (left/right)
- Output Range: 45, 50, 55, 60
- Portal width: 440, 500, 550, 600 mm
- Portal height: 570, 670, 790, 910 mm
- Appliance height: 1230 - 1620 mm
- Nominal output: 8,0 - 11,0 kW
- Fuel consumption: 2,5 - 3,5 kg/hour



CHOPOK VE L VD

- FLAT DOOR
- LIFT-UP DOOR OPENING
- Output Range: 45, 50, 55, 60
- Portal width: 510, 570, 620, 670 mm
- Portal height: 570, 670, 790, 910 mm
- Appliance height: 1600 - 1990 mm
- Nominal output: 8,0 - 11,0 kW
- Fuel consumption: 2,9 - 3,5 kg/hour



CHOPOK VE O LD

- DOUBLE-SIDED DOOR
- SIDE OPENING DOOR (left/right)
- Output Range: 45, 50, 55, 60
- Portal width: 440, 500, 550, 600 mm
- Portal height: 570, 670, 790, 910 mm
- Appliance height: 1250 - 1590
- Nominal output: 8,0 - 12,5 kW
- Fuel consumption: 2,6 - 3,9 kg/hour



CHOPOK VE O VD

- DOUBLE-SIDED DOOR
- LIFT-UP DOOR OPENING
- Output Range: 45, 50, 55, 60
- Portal width: 510, 570, 620, 670 mm
- Portal height: 570, 670, 790, 910 mm
- Appliance height: 1600 - 1990 mm
- Nominal output: 8,0 - 12,5 kW
- Fuel consumption: 2,9 -3,9 kg/hour

CHOPOK line



CHOPOK R90 -S/330 LD/LD2

- CORNER DOOR - Glass - (LD or LD2) 1-or split 2-wing (left/right corner), shallower depth (330 mm)
- SIDE OPENING DOOR
- Output Range: 50 - 73
- Portal width: 500, 550, 600, 670, 730
- Portal height: 450, 510, 570 mm
- Appliance height: 1150, 1210, 1270 mm
- Nominal output: 8,0 - 10,5 kW
- Fuel consumption: 2,7 - 3,3 kg/hour



CHOPOK R90-S/380 VD

- CORNER DOOR - Glass - optional right/left corner, shallower depth (380 mm)
- LIFT-UP DOOR OPENING
- Output Range: 50 - 90
- Portal width: 550, 600, 650, 720, 780, 830, 890, 950 mm
- Portal height: 450, 510, 570 mm
- Appliance height: 1300 - 1650 mm
- Nominal output: 8,0 -12,0 kW
- Fuel consumption: 2,7 - 3,9 kg/hour



CHOPOK R90-S/450 LD/LD2

- CORNER DOOR - Glass - 1- or 2-wing. split (left/right corner), deeper depth (450mm)
- SIDE OPENING DOOR (optional handle positioning - right/left)
- Output Range: 45 - 73
- Portal width: 450, 500, 550, 600, 670, 730 mm
- Portal height: 450, 510, 570 mm
- Appliance height: 1150, 1210, 1270 mm
- Nominal output: 8,0 - 10,5 kW
- Fuel consumption: 2,6 - 3,3 kg/hour



CHOPOK R90-S/500 VD

- CORNER DOOR - Glass - optional right/left corner, deeper depth (500 mm)
- LIFT-UP DOOR OPENING
- Output Range: 45 - 90
- Portal width: 500, 550, 600, 650, 720, 780, 830, 890, 950 mm
- Portal height: 450, 510, 570 mm
- Appliance height: 1300 - 1650 mm
- Nominal output: 7,5- 16,0 kW
- Fuel consumption: 2,6 - 4,9 kg/hour

CHOPOK line



CHOPOK 2R90-S/330 LD2

- THREE SIDED DOOR - Glass, shallower depth (330 mm), with split doors
- SIDE OPENING DOOR (L left/P right)
- Output Range: 67 - 90
- Portal width: 670, 730, 780, 840, 900 mm
- Portal height: 450, 510, 570 mm
- Nominal output: 10,0 - 12,0 kW
- Fuel consumption: 3,2 - 3,9 kg/hour



CHOPOK 2R90-S/380 VD

- THREE SIDED DOOR - Glass with split doors, shallower depth (380 mm)
- LIFT-UP DOOR OPENING
- Output Range: 67 - 90
- Portal width: 695, 755, 805, 865, 925 mm
- Portal height: 450, 510, 570 mm
- Appliance height: 1350, 1410, 1470, 1530 mm
- Nominal output: 10,0 - 15,0 kW
- Fuel consumption: 3,2 - 4,9 kg/hour



CHOPOK 2R90-S/450 LD2

- THREE SIDED DOOR - Glass with split doors, greater depth (450 mm)
- SIDE OPENING DOOR Output Range: 50 - 90
- Portal width: 500, 550, 600, 670, 730, 780, 840, 900 mm
- Portal height: 450, 510, 570 mm
- Nominal output: 10,0 - 12,0 kW
- Fuel consumption: 2,7 - 3,9 kg/hour



CHOPOK 2R90-S/500 VD

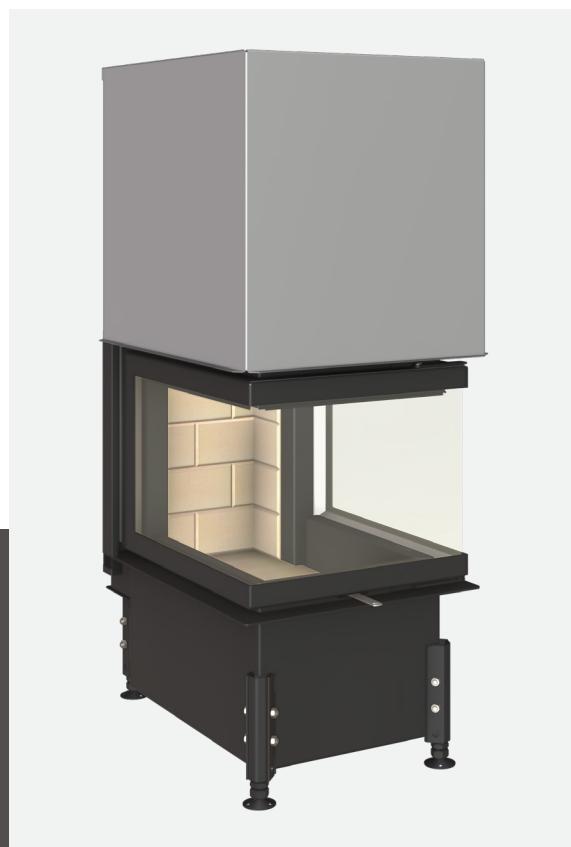
- THREE SIDED DOOR - Glass with split doors, greater depth (500 mm)
- LIFT-UP DOOR OPENING
- Output Range: 50 - 90
- Portal width: 525, 575, 625, 695, 755, 805, 865, 925 mm
- Portal height: 450, 510, 570 mm
- Appliance height: 1300 - 1530 mm
- Nominal output: 8,0 -15,0 kW
- Fuel consumption: 2,7 - 4,9 kg/hour

CHOPOK line



CHOPOK O/R90-S/500 LD2

- THREE-SIDED DOOR-Glass (deep), split door
- SIDE OPENING DOOR
- Output Range: 60, 67
- Portal width: 600, 670 mm
- Portal height: 450, 510 mm
- Appliance height: 1190 mm
- Nominal output: 10,0 - 11,0 kW
- Fuel consumption: 3,2 - 3,5 kg/hour



CHOPOK O/R90-S/525 VD

- THREE-SIDED DOOR-Glass (deep) - split door
- LIFT-UP DOOR OPENING
- Output Range: 60, 67
- Portal width: 650, 740mm
- Portal height: 450, 510 mm
- Appliance height: mm
- Nominal output: 10,0 - 11,0 kW
- Fuel consumption: 3,2 - 3,5 kg/hour



CHOPOK P

- PRISMATIC Glass - enhanced panorama
- SIDE OPENING DOOR (optional handle positioning - right/left)
- Output Range: 67 a 78
- Portal width: 670, 780 mm
- Portal height: 510, 570 mm
- Appliance height: 1210, 1320 mm
- Nominal output: 10,0 a 11,0 kW
- Fuel consumption: 3,2 a 3,5 kg/hour



CHOPOK R 550

- CURVED DOOR - deepened panorama
- SIDE OPENING DOOR (optional handle positioning - right/left)
- Output Range: 67 a 78
- Portal width: 670, 780 mm
- Portal height: 510, 570 mm
- Appliance height: 1210, 1320 mm
- Nominal output: 10,0 a 11,0 kW
- Fuel consumption: 3,2 a 3,5 kg/hour

CHOPOK line



CHOPOK LE VD

- FLAT DOOR - EXTRA LARGE PORTALL
- LIFT-UP DOOR OPENING
- Output Range: 78 , 90, 100
- Portal width: 850, 970, 1070 mm
- Portal height: 630, 710, 760 mm
- Appliance height: 1710 - 2120 mm
- Nominal output: 12,0 -19,0 kW
- Fuel consumption: 3,9 - 6,6 kg/hour



EXAMPLE OF OPTIONAL ACCESSORY APPLICATION

- MODEL: CHOPOK R90 73 LD2 730/510-S/450
- RIGHT CORNER
- FIREPLACE TABLEL
- SPLIT DOOR
- Glass DEKOR
- CONTROLS AND HANDLES SM Glass: STAINLESS STEEL
- CONTROL: RP1

BASIC DESIGN:

- segmental chamotte lining
- external air inlet
- stainless steel controls
- classic glass
- black paint - metallic

OPTIONAL ACCESSORIES:

- cover frame - removable /KRO/
- fireplace table - removable /KSO/
- glass dekor /SM/
- glass reflex/SR/
- glass dekor reflex /SMR/
- external ashtray /VOP/
- lower hearth /ZO/
- convection casing /DP/
- hanging accumulator /AZ/
- stocking door /PD/
- lining accumulation rings /APO/
- vermiculite grooved lining /VEDR/

EKO line



- Low-energy cassette-type appliances with reduced construction depth
- Designed for homes with lower heating requirements and low fuel consumption
 - low-energy homes and smart homes
- Slim design while maintaining high efficiency
- Complies with EN 16510-2-2:2023 standard



EKO L LD

- FLAT DOOR
- SIDE OPENING (optional right/left) DOOR
- Output Range: 60, 67
- Portal width: 600, 670 mm
- Portal height: 400, 450 mm
- Appliance height: 915, 965 mm
- Nominal output: 7,5 kW
- Fuel consumption: 2,3 kg/hour



EKO L VD

- FLAT DOOR
- LIFT-UP DOOR OPENING
- Output Range: 60, 67
- Portal width: 670, 740 mm
- Portal height: 400, 450 mm
- Appliance height: 1330, 1380 mm
- Nominal output: 7,5 kW
- Fuel consumption: 2,3 kg/hour

REDUCED DEPTH, FULL PERFORMANCE

A shallower design towards the rear wall and deeper towards the grate, with a reduced body, offers a functional solution even in the limited space of small homes. Eko is designed for installation in low-energy family homes, where it becomes a practical, economical and aesthetic element of a modern interior.

THERMAL COMFORT EVEN AT LOW COSTS

The EKO line is based on the proven low-energy Kazeta model series, but has a higher nominal output, which contributes to savings in heating costs and protects the environment.

A CONSTRUCTION YOU CAN RELY ON

The safe, high-quality and reliable construction of the appliance, made of high-quality heat-resistant steel sheet in combination with high-quality fireclay, vermiculite and doors glazed with safe heat-resistant ceramic glass, ensures high thermal inertia and an exceptionally long service life.



EKO O LD

- DOUBLE-SIDED DOOR
- SIDE OPENING (optional right/left) DOOR
- Output Range: 60, 67
- Portal width: 600, 670 mm
- Portal height: 400, 450 mm
- Appliance height: 915, 965 mm
- Nominal output: 9,0 - 9,5 kW
- Fuel consumption: 2,7 - 3,2 kg/hour



EKO O VD

- DOUBLE-SIDED DOOR
- LIFT-UP DOOR OPENING
- Output Range: 60, 67
- Portal width: 670, 740 mm
- Portal height: 400, 450 mm
- Appliance height: 1330, 1380 mm
- Nominal output: 9 - 9,5 kW
- Fuel consumption: 2,7 - 3,2 kg/hour

EKO line



EKO R90-S/400 LD

- CORNER DOOR - Glass, optional right/left corner
- SIDE OPENING (optional right/left) DOOR
- Output Range: 60, 67
- Portal width: 600, 670 mm
- Portal height: 400, 450 mm
- Appliance height: 915, 965 mm
- Nominal output: 7,5 - 8,0 kW
- Fuel consumption: 2,3 - 2,4 kg/hour



EKO R90-S/450 VD

- CORNER DOOR - Glass - optional right/left corner
- LIFT-UP DOOR OPENING
- Output Range: 60, 67
- Portal width: 650, 720 mm
- Portal height: 400, 450 mm
- Appliance height: 1330, 1380 mm
- Nominal output: 7,5 - 8,0 kW
- Fuel consumption: 2,3 - 2,4 kg/hour



EKO 2R90-S/400 LD

- THREE SIDED DOOR - Glass
- SIDE OPENING DOOR
- Output Range: 60, 67
- Portal width: 600, 670 mm
- Portal height: 400, 450 mm
- Appliance height: 915, 965 mm
- Nominal output: 8,0 kW
- Fuel consumption: 2,4 - 2,5 kg/hour



EKO 2R90-S/450 VD

- THREE SIDED DOOR - Glass
- LIFT-UP DOOR OPENING
- Output Range: 60, 67
- Portal width: 625, 695 mm
- Portal height: 400, 450 mm
- Appliance height: 1330, 1380 mm
- Nominal output: 8,0 kW
- Fuel consumption: 2,4 - 2,5 kg/hour

EKO line



EXAMPLE OF OPTIONAL ACCESSORY APPLICATION

- MODEL: EKO 2R90 67 LD2 670/450-S/400
- COVER FRAME 4S
- SEGMENTAL CHAMOTTE LINING - BLACK
- Glass REFLEX
- SPLIT DOOR
- CONTROL HANG: STAINLESS STEEL
- CONTROL: RP1A



BASIC DESIGN:

- segmental chamotte lining
- external air inlet
- stainless steel controls
- classic glass
- black paint - metallic

OPTIONAL ACCESSORIES:

- cover frame /KR/
- glass dekor /SM/
- glass reflex/SR/
- glass dekor reflex /SMR/
- external ashtray /VOP/
- lower hearth /ZO/
- convection casing /DP/
- hanging accumulator /AZ/
- stocking door /PD/
- accumulation exchanger /AV/
- lining accumulation rings /APO/
- vermiculite grooved lining /VEDR/
- split door /LD2/

KAZETA line



- low-energy variant of the Chopok line
- significantly reduced body and overall reduction in appliance height
- purposefully reduced nominal output
- designed for low-energy/passive houses
- Complies with EN 16510-2-2:2023 standard



KAZETA L LD

- FLAT DOOR
- SIDE OPENING (optional right/left) DOOR
- Output Range: 60, 67, 73, 78
- Portal width: 600, 670, 730, 780mm
- Portal height: 450, 510 mm
- Appliance height: 960, 1020 mm
- Nominal output: 6 - 9,5 kW
- Fuel consumption: 2,0 - 2,9 kg/hour



KAZETA L VD

- FLAT DOOR
- LIFT-UP DOOR OPENING
- Output Range: 60, 67, 73, 78, 90
- Portal width: 670, 740, 800, 850, 970 mm
- Portal height: 450, 510 mm
- Appliance height: 1060, 1120 mm
- Nominal output: 6 - 9,5 kW
- Fuel consumption: 2,0 - 2,9 kg/hour

COZY ATMOSPHERE FOR LOW-ENERGY HOUSES

An economical alternative heating solution for houses with lower heating requirements and low fuel consumption. The KAZETA line is designed and intended for low-energy, passive houses and smart homes.

HEIGHT OPTIMIZATION WITH POWER REDUCTION EFFECT

The line is based on our best-selling Chopok model series, with the firebox retaining the dimensions of the Chopok, but the appliance itself has a significantly reduced body and overall dimensions. The purposeful design reduction was designed to reduce the nominal power.

ECONOMICAL DESIGN, RELIABLE CONSTRUCTION

This highly efficient appliance, suitable for buildings with lower energy losses or lower heat requirements, can be installed in various styles and shapes of fireplaces using hot air, hybrid or storage methods. The high thermal inertia and exceptional durability of the appliance are confirmed by an above-standard 5-year warranty.



KAZETA O LD

- DOUBLE-SIDED DOOR
- SIDE OPENING (optional right/left) DOOR
- Output Range: 60, 67, 73, 78
- Portal width: 600, 670, 730, 780 mm
- Portal height: 450, 510 mm
- Appliance height: 1065, 1125 mm
- Nominal output: 6,5 - 9,0 kW
- Fuel consumption: 2,1 - 2,9 kg/hour



KAZETA O VD

- DOUBLE-SIDED DOOR
- LIFT-UP DOOR OPENING
- Output Range: 60, 67, 73, 78
- Portal width: 670, 740, 800, 850 mm
- Portal height: 450, 510 mm
- Appliance height: 1060, 1120 mm
- Nominal output: 6,5 - 9,0 kW
- Fuel consumption: 2,1 - 2,9 kg/hour

KAZETA line



KAZETA R90-S/330(450) LD

- CORNER DOOR - Glass - optional right/left corner
- SIDE OPENING (optional right/left) DOOR
- Output Range: 60, 67, 73
- Portal width: 600, 670, 730 mm
- Portal height: 450, 510 mm
- Portal depth: 330 mm
- Appliance height: 960, 1020 mm
- Nominal output: 6,0 - 6,5 kW
- Fuel consumption: 2,0 - 2,1 kg/hour



KAZETA R90-S/380(500) VD

- CORNER DOOR - Glass - optional right/left corner
- LIFT-UP DOOR OPENING
- Output Range: 60, 67, 73
- Portal width: 650, 720, 780 mm
- Portal height: 450, 510 mm
- Portal depth: 380 mm
- Appliance height: 1060, 1120 mm
- Nominal output: 6,0 - 6,5 kW
- Fuel consumption: 2,0 - 2,1 kg/hour



KAZETA 2R90-S/330(450) LD2

- THREE SIDED DOOR - Glass - split door
- SIDE OPENING DOOR
- Output Range: 67, 73, 78
- Portal width: 670, 730, 780 mm
- Portal height: 450, 510 mm
- Portal depth: 330 mm
- Appliance height: 960, 1020 mm
- Nominal output: 8,0 - 9,0 kW
- Fuel consumption: 2,5 - 2,8 kg/hour



KAZETA 2R90-S/380 (500) VD

- THREE SIDED DOOR - Glass - split door
- LIFT-UP DOOR OPENING
- Output Range: 60, 67
- Portal width: 695, 755, 805 mm
- Portal height: 450, 510 mm
- Portal depth: 380 mm
- Appliance height: 1010, 1120 mm
- Nominal output: 8,0 - 9,0 kW
- Fuel consumption: 2,5 - 2,8 kg/hour

KAZETA line



KAZETA R550 LD

- CURVED DOOR - deepened panorama
- SIDE OPENING DOOR (optional handle positioning - right/left)
- Output Range: 67 a 78
- Portal width: 670, 780 mm
- Portal height: 510, 570 mm
- Appliance height: 1020, 1080 mm
- Nominal output: 6,5 - 7,0 kW
- Fuel consumption: 2,1 -2,2 kg/hour



KAZETA P LD

- PRISMATIC Glass - enhanced panorama
- SIDE OPENING DOOR (optional handle positioning - right/left)
- Output Range: 67 a 78
- Portal width: 670, 780 mm
- Portal height: 510, 570 mm
- Appliance height: 1020, 1080 mm
- Nominal output: 6,5 - 7,0 kW
- Fuel consumption: 2,1 -2,2 kg/hour



BASIC DESIGN:

- segmental chamotte lining
- external air inlet
- stainless steel controls
- classic glass
- black paint - metallic

OPTIONAL ACCESSORIES:

- cover frame /KR/
- glass dekor /SM/
- glass reflex/SR/
- external ashtray /VOP/
- lower hearth /ZO/
- convection casing /DP/
- hanging accumulator /AZ/
- stocking door /PD/
- lining accumulation rings /APO/

EXAMPLE OF OPTIONAL ACCESSORY APPLICATION

- MODEL: KAZETA L 67 LD 670/510
- COVER FRAME : KROA - 2S
- SEGMENTAL CHAMOTTE LINING - BLACK
- Glass DEKOR
- Glass MODERN TRIMS: STAINLESS STEEL
- CONROL ELEMENTS - STAINLESS STEEL
- DOOR CONTROL: RP2 - LEFT
- EXTERNAL ASHTRAY - VOP

FIREPLACE INSERT WITH WARM WATER HEAT EXCHANGER (TV)



- Fireplace insert with integrated hot water exchanger provides water for central heating
- Smart investment in heating system efficiency
- Significantly contributes to reducing heating costs
- Complies with EN 16510-2-2:2023 standard



CHOPOK L LD TV

- FLAT DOOR
- SIDE OPENING (optional right/left) DOOR
- in basic without PD/ see picture)
- TV exchanger inspection hole = side
- Output Range: 60 - 90
- Nominal output: 10,0 - 16,0 kW
- Performance on the water side 4,4 - 8,1 kW
- Fuel consumption: 2,8 -4,8 kg/hour
- option of equipment with a stoking door / PD/ = model CHOPOK L LD TV PD



CHOPOK L VD TV PD

- FLAT DOOR
- LIFT-UP DOOR OPENING
- The figure shows a model with a stoking door (the basic CHOPOK L VD TV model is without PD).
- TV exchanger inspection hole: side
- Output Range: 60 - 130
- Nominal output: 10,0 - 20 kW
- Performance on the water side 4,4 - 9,6 kW
- Fuel consumption: 2,8 -6,3 kg/hour

SIGNIFICANT REDUCTION IN HEATING COSTS

Unused thermal energy from combustion gases is efficiently utilized in the exchanger to heat water for central heating. The advantages of this system include a very good combustion process (the exchanger is located above the firebox), high efficiency, a simple and effective system for cleaning the exchanger from the firebox, and a long service life.

TV INTEGRATION ONLY FOR SELECTED APPLIANCES

The TV hot water exchanger is not part of all fireplace lines; it is only available for the following models: CHOPOK L LD, CHOPOK L VD, ROTO, and KPL. The basic design of fireplaces with TV is the same as for classic fireplace inserts. Modifications and changes using optional accessories depend on the type of fireplace insert and are basically the same as the optional equipment for standard models without TV. The exact specifications are listed in the technical data sheets.

MANUFACTURER'S RECOMMENDATION

For cleaner operation of the appliance, we recommend equipping the fireplace insert with a stoking door /PD/. Each connection of a hot water appliance must be designed by a designer and the connection to the system must be carried out by a professionally authorized person.



ROTO TV

- FLAT DOOR
- SIDE OPENING (optional right/left) DOOR
- Output Range: 450, 500
- TV exchanger inspection hole: front
- Nominal output: 11,4 - 12,3 kW
- Performance on the water side 4,5 - 6,2 kW
- Fuel consumption: 3,0 -3,4 kg/hour



KPL TV

- FLAT DOOR
- SIDE OPENING (optional right/left) DOOR
- Output Range: 400, 450
- TV exchanger inspection hole: front
- Nominal output: 11,0 - 15,0 kW
- Performance on the water side 4,6 - 6,8 kW
- Fuel consumption: 3,0 - 4,1 kg/hour

INNOVATIONS WE ARE WORKING ON



We do not underestimate development, and new product lines will soon be added to our product portfolio:



CHOPOK ST line

- SIGNIFICANTLY CHANGED BODY - ITS SIZE AND SHAPE
- ARE CHANGING DESIRED INCREASE IN PERFORMANCE PARAMETERS AND EFFICIENCY OF THE APPLIANCE



KAZETA K line

- INTEGRATION OF A 45°/90° ROTATING DOME INTO THE CASSETTE
- SIMPLIFIED INSTALLATION, CLEANING, REPAIR OR INSPECTION OF THE FIREPLACE INSERT
- OPTIMALLY ENLARGED BODY

WE SAVE YOUR MONEY

Our development department systematically works on increasing performance limits and improving the energy efficiency of our products.

WE FOLLOW THE WORLD OF FIREPLACES FOR YOU

We follow trends so that we can offer you products that are not only powerful and attractive in design, but also economically and environmentally sustainable.

THE DETAILS MATTER

Before a new product reaches you, we fine-tune every prototype down to the last detail, test it thoroughly, and put it through a certification process to ensure that we deliver the best and safest product to you.



BY line - prototype No 1

- NEW DESIGN AND PERFORMANCE STANDARDS “FIREPLACE - STOVE” WITH MARBLE WALLS FOR A LUXURIOUS LOOK
- DESIGNED AS A READY-TO-USE APPLIANCE PRACTICAL STORAGE SPACE IN THE LOWER PART
- EASY INSTALLATION, NO CONSTRUCTION WORK REQUIRED



BY line - prototype No 2

- NEW DESIGN AND PERFORMANCE STANDARDS “FIREPLACE - STOVE” WITH MARBLE WALLS FOR A LUXURIOUS LOOK
- DESIGNED AS A READY-TO-USE APPLIANCE PRACTICAL STORAGE SPACE IN THE LOWER PART
- EASY INSTALLATION, NO CONSTRUCTION WORK REQUIRED

Why choose products from the Slovak manufacturer KOBOK?

Our appliances meet the most stringent fire safety requirements

SAFETY
IN 1ST PLACE

Focus on manufacturing from the highest quality materials from reputable suppliers

QUALITY
WITHOUT COMPROMISE

We adapt to the individual needs of each customer

MADE TO ORDER
CUSTOM SOLUTIONS

High efficiency saves you money, appliances meet the strictest EU environmental standards

ECO & ECO
ECOLOGICAL AND ECONOMIC

Features and key benefits of KOBOK fireplace inserts

- reliable, safe, and timeless design above-standard
- **5-year warranty**
- long service life
- **full compatibility of accessories with the fireplace insert**
- aesthetic appearance:
 - perfect surface finish of products
 - high glass purity during combustion
 - air supply for combustion from the external environment
- three-stage combustion
- deepened firebox
- preparation for automatic combustion control
- designed for burning wood and wood briquettes

YOUR TRUST IN
OUR PRODUCTS
COMMITTS US TO
PERFECTION.

Today's world offers a huge number of possibilities, which is why we greatly appreciate your trust in our products. We assure you that we will never compromise on our quality standards, and our approach to honest craftsmanship and your satisfaction remains unchanged.



KOBOK spol. s r. o.
Strojársená 318/46
976 43 VALASKÁ - PIESOK
SLOVAKIA

**SLOVAK
MANUFACTURER**



☎ +421 910 111 153
✉ info@kobok.sk
🌐 www.kobok.sk

